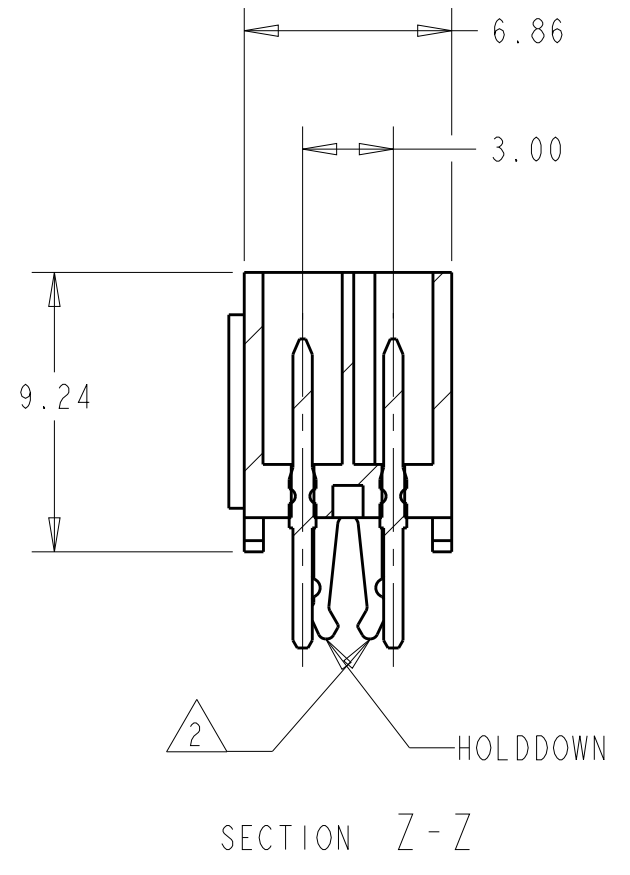
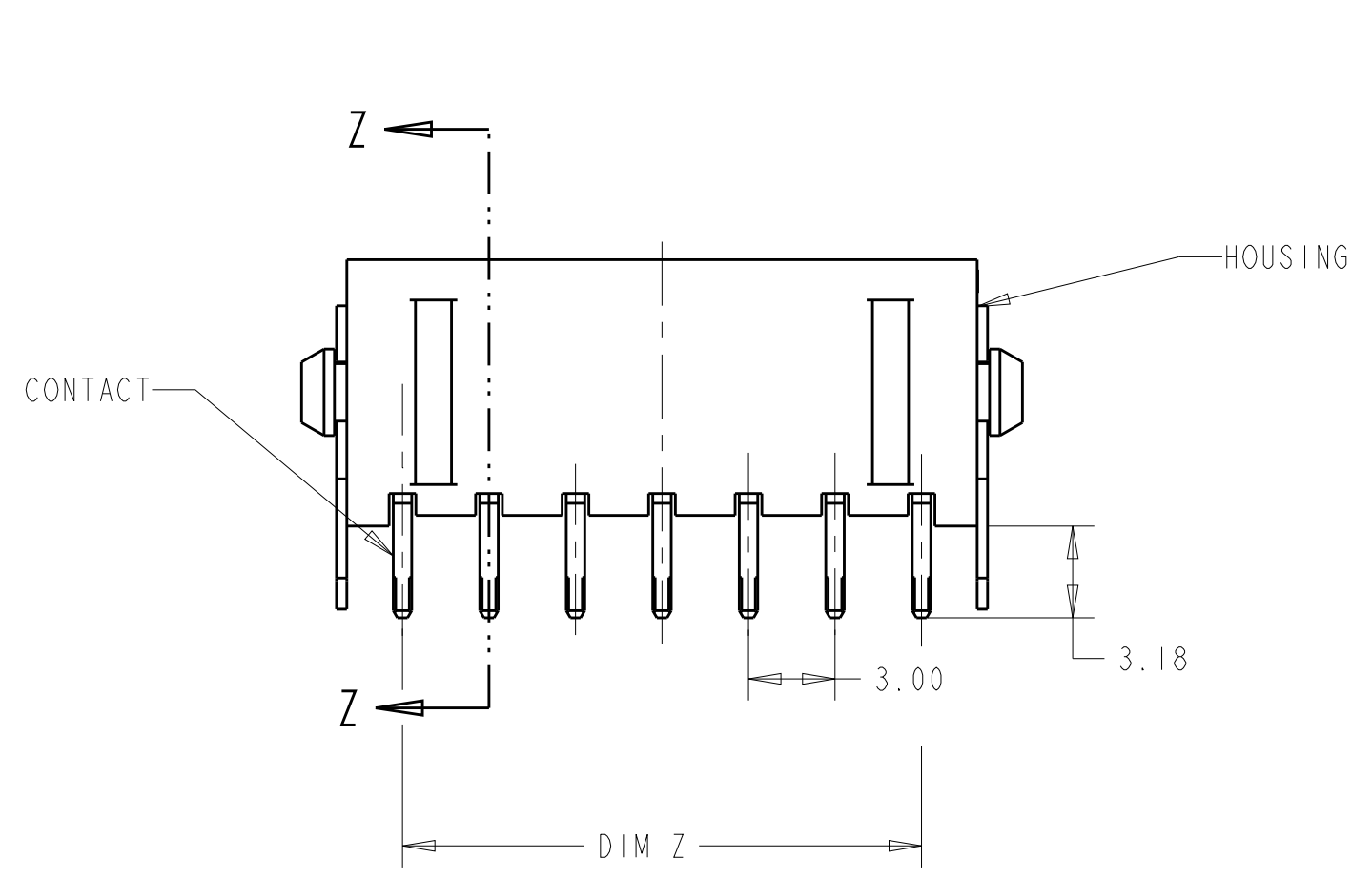
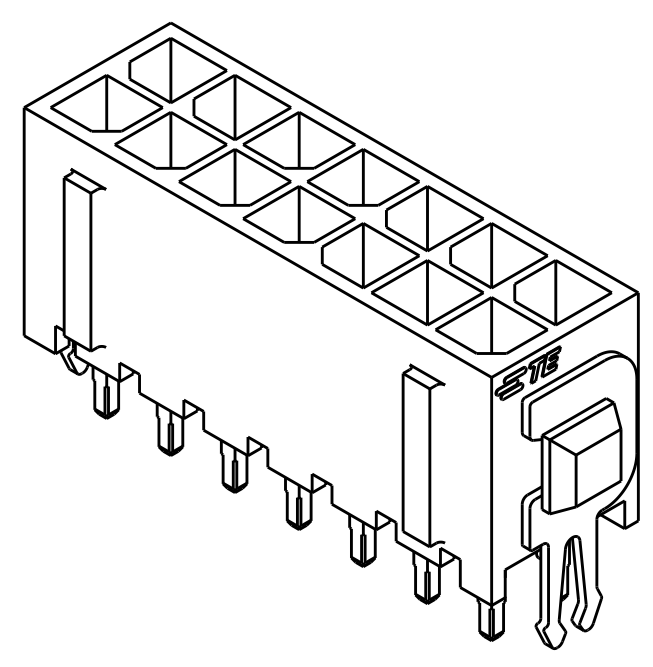
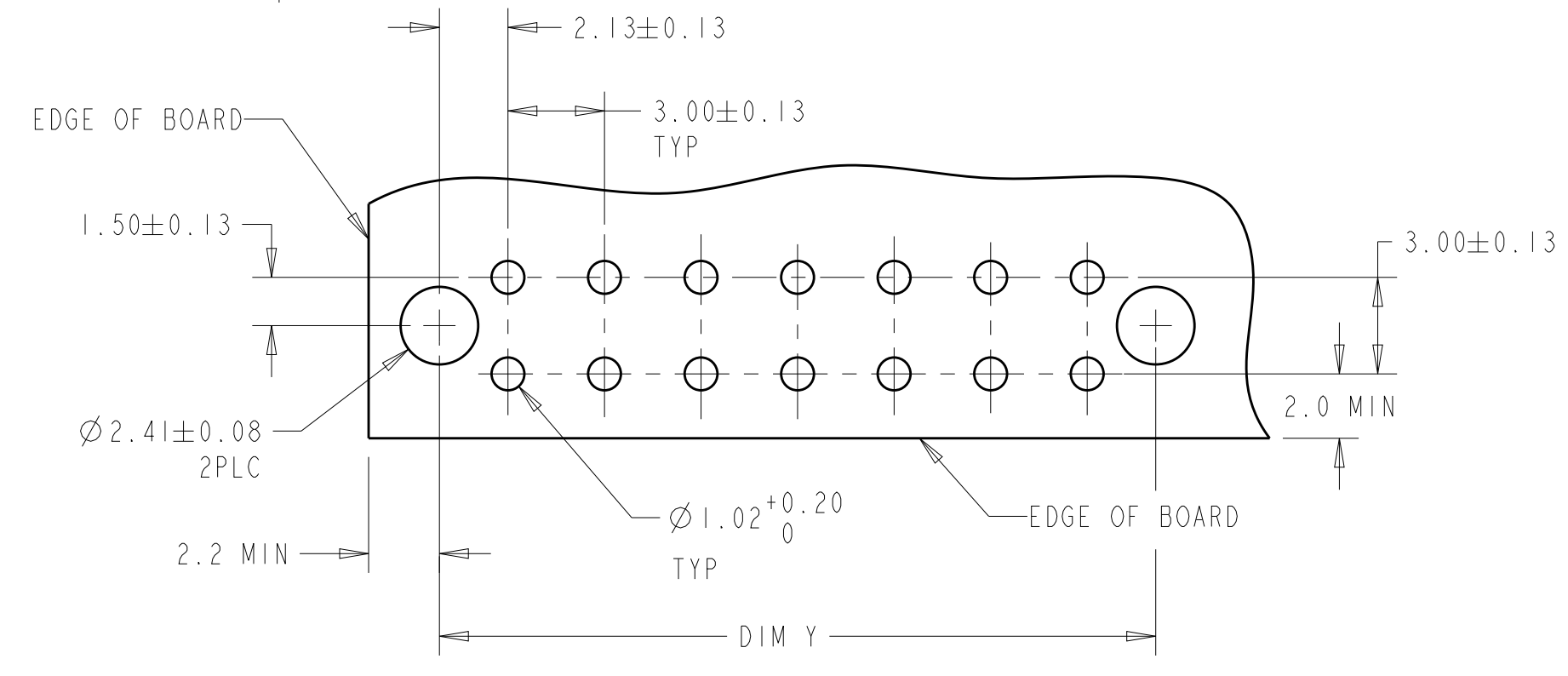
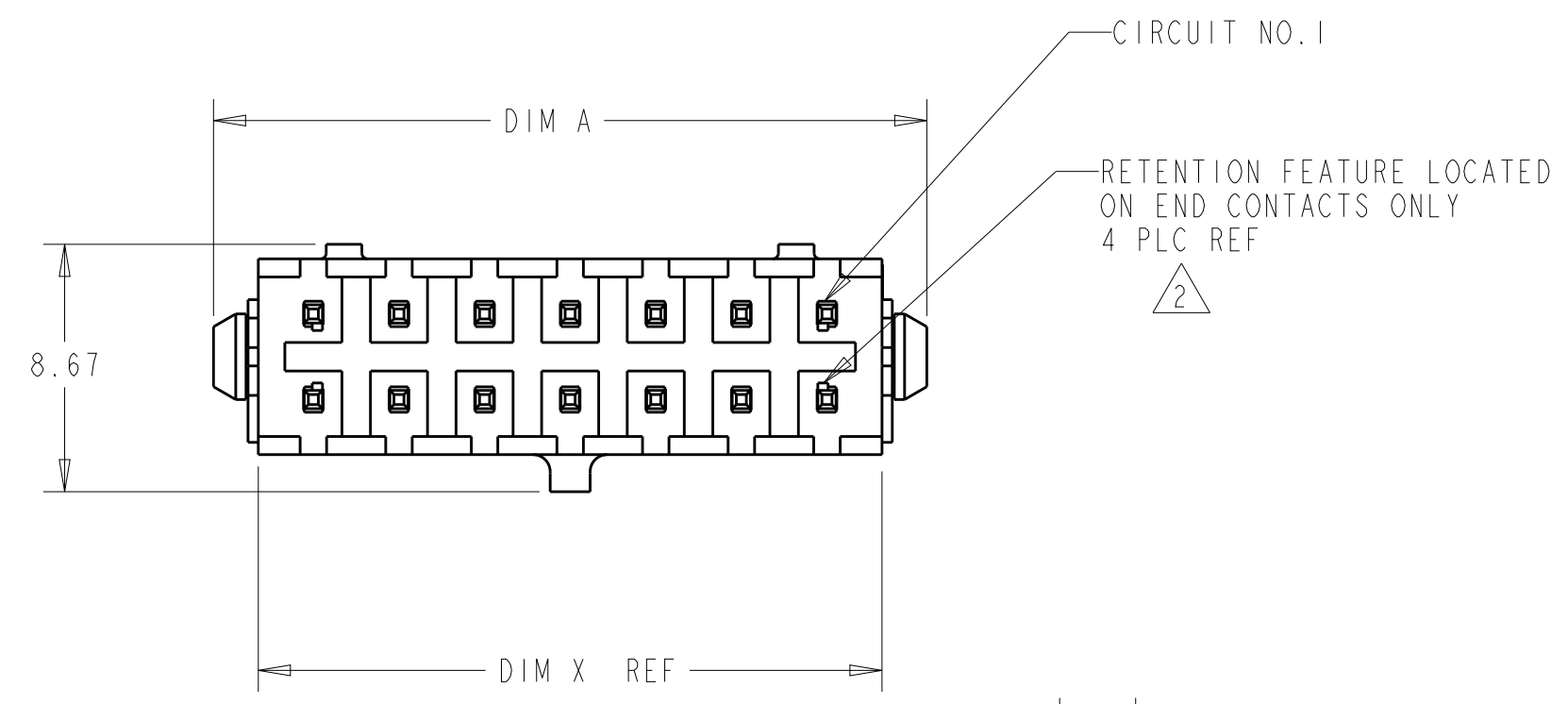


THIS DRAWING IS UNPUBLISHED. RELEASED FOR PUBLICATION 20
 © COPYRIGHT 20 BY - ALL RIGHTS RESERVED.

LOC	DIST	REVISIONS					
CM	00	P	LTR	DESCRIPTION	DATE	DWN	APVD
		F		REVISED PER ECO-15-005484	28JULY2015	SC	DZ



- 1 MATERIAL: HOUSING - HIGH TEMP. NYLON, UL 94V-0, BLACK.
CONTACT - BRASS.
HOLD DOWNS- PHOSPHOR BRONZE.
- 2 MAXIMUM INSERTION 30 LBS.
- 3 RECOMMENDED BOARD THICKNESS 1.57.
- 4 FINISH: CONTACT-2.54µm MINIMUM TIN-LEAD OVER
1.27µm MINIMUM NICKEL.
HOLD DOWNS-2.54µm TIN-LEAD
- 5 FINISH: CONTACT - 2.54µm MINIMUM MATTE TIN
OVER 1.27µm MINIMUM NICKEL.
HOLD DOWNS- 2.54µm MATTE TIN



3 DIMENSIONAL MODEL

RECOMMENDED MOUNTING HOLE PATTERN SCALE 5:1

FINISH	DIM A	DIM Z	DIM Y	DIM X	NO. OF POSN.	ASSEMBLY
	37.00	30.00	34.30	33.86	22	5-794680-2
	34.00	27.00	31.30	30.86	20	5-794680-0
	31.00	24.00	28.30	27.86	18	4-794680-8
	28.00	21.00	25.30	24.86	16	4-794680-6
	25.00	18.00	22.30	21.86	14	4-794680-4
	22.00	15.00	19.30	18.86	12	4-794680-2
	19.00	12.00	16.30	15.86	10	4-794680-0
	16.00	9.00	13.30	12.86	8	3-794680-8
	13.00	6.00	10.30	9.86	6	3-794680-6
	10.00	3.00	7.30	6.86	4	3-794680-4
	7.00	-	4.30	3.86	2	3-794680-2
4	40.00	33.00	37.30	36.86	24	2-794680-4
	37.00	30.00	34.30	33.86	22	2-794680-2
	34.00	27.00	31.30	30.86	20	2-794680-0
	31.00	24.00	28.30	27.86	18	1-794680-8
	28.00	21.00	25.30	24.86	16	1-794680-6
	25.00	18.00	22.30	21.86	14	1-794680-4
	22.00	15.00	19.30	18.86	12	1-794680-2
	19.00	12.00	16.30	15.86	10	1-794680-0
	16.00	9.00	13.30	12.86	8	794680-8
	13.00	6.00	10.30	9.86	6	794680-6
	10.00	3.00	7.30	6.86	4	794680-4
	7.00	-	4.30	3.86	2	794680-2

THIS DRAWING IS A CONTROLLED DOCUMENT.

DWN: S. HOOVER 23-MAR-2005
 CHK: C. JONES 23-MAR-2005
 APVD: C. JONES 23-MAR-2005

STC TE Connectivity

NAME: VERTICAL HEADER ASSEMBLY, THRU HOLE, TIN, DUAL ROW, MICRO MATE-N-LOK(TM)

SIZE: A2 CAGE CODE: 00779 DRAWING NO: 794680 RESTRICTED TO: -

MATERIAL: SEE TABLE

PRODUCT SPEC: -
 APPLICATION SPEC: -
 WEIGHT: -

CUSTOMER DRAWING SCALE: 5:1 SHEET: 1 OF 1 REV: F